

FEATURE

- Operating Frequency: 0.5~18GHz
- Stable Performance and High Reliability
- High Isolation
- Low Insertion Loss
- Small Phase & Amplitude Errors
- Operating Temperature: -55~+85°C



APPLICATIONS

- Communication system
- Radar & Warfare system
- Test Equipment

SPECIFICATIONS@25°C:

Part Number	Frequency Range (GHz)	Isolation (dB.Max)	Insertion Loss (dB)	VSWR Input (Max)	VSWR Output (Max)	Phase Balance (±deg.Max)	Amplitude Balance (±dB.Max)	Power Handling (W.Avg)	Way	Case Type
MPD001002S4L	0.001-0.2	25	0.7	1.5	1.4	3	0.3	30	4	4D1/4D2
MPD001005S4L	0.01-0.5	20	0.8	1.5	1.4	3	0.3	30	4	4D1/4D2
MPD002060S4L	0.02-6	16	1.4	1.6	/	8	0.5	10	4	4D11
MPD009005B4L	0.05-0.09	16	0.6	1.3	/	5	0.3	1	4	4D19
MPD001002S4L	0.1-0.2	18	2	1.8	/	14	0.8	1	4	4D12
MPD002020S4L	0.2-2	18	2	1.4	1.3	3	0.3	30	4	4D35
MPD003060S4L	0.38-6	16	2.6	1.7	1.5	5	0.5	30	4	4D30
MPD004036S4M	0.4-3.6	16	1.6	1.5	/	3	0.3	30	4	4D1/4D2
MPD004060N4L	0.4-6	16	2.6	1.6	1.6	5	0.3	30	4	4D40
MPD004004S4L	0.43-0.45	22	0.6	1.3	1.2	2	0.2	30	4	4D28
MPD005010S4L	0.5-1	20	0.4	1.5	1.4	4	0.3	10	4	4D1/4D2
MPD005010S4M	0.5-1	22	0.6	1.25	/	3	0.3	30	4	4D1/4D2
MPD005020S4L	0.5-2	20	0.7	1.3	1.2	2	0.2	30	4	4D41
MPD005020S4M	0.5-2	22	0.7	1.3	/	3	0.3	20	4	4D13
MPD005020S4H	0.5-2	20	0.8	1.25	1.2	3	0.3	50	4	4D1/4D2
MPD005020S4I	0.5-2	22	0.8	1.3		3	0.3	30	4	4D1/4D2
MPD005030S4M	0.5-3	20	1.5	1.35	/	3	0.3	30	4	4D1/4D2
MPD005060S4L	0.5-6	16	1.6	1.5	/	4	0.3	30	4	4D1/4D2
MPD005060N4L	0.5-6	18	1.8	1.5	1.4	5	0.3	35	4	4D29
MPD005060S4M	0.5-6	18	0.8	1.5	1.4	4	0.3	30	4	4D1/4D2
MPD005200S4L	0.5-20	15	5	1.7	1.5	6	0.6	30	1	4D33
MPD007027S4L	0.7-2.7	20	1.1	1.3	/	5	0.3	30	4	4D17
MPD007027N4L	0.7-2.7	20	0.9	1.3	/	3	0.3	30	4	4D1/4D2
MPD007027S4M	0.7-2.7	20	1.2	1.3	/	5	0.3	30	4	4D17
MPD075015S4L	0.75-1.5	20	0.5	1.5	1.4	4	0.3	10	4	4D1/4D2
MPD008020S4H	0.8-2	20	0.8	1.25	/	3	0.3	50	4	4D1/4D2



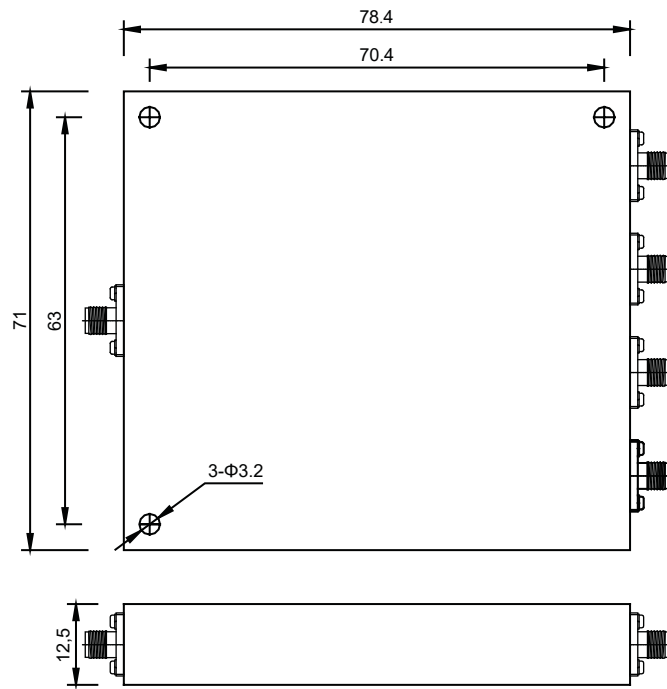
4-WAY WIDE BAND POWER DIVIDER

Part Number	Frequency Range (GHz)	Isolation (dB.Max)	Insertion Loss (dB)	VSWR Input (Max)	VSWR Output (Max)	Phase Balance (±deg.Max)	Amplitude Balance (±dB.Max)	Power Handling (W.Avg)	Way	Case Type
MPD008024S4L	0.8-2.4	20	0.6	1.25	1.2	6	0.3	20	4	4D1/4D2
MPD008024S4M	0.8-2.4	20	0.6	1.3	1.2	6	0.3	30	4	4D1/4D2
MPD008025S4L	0.8-2.5	20	0.7	1.3	1.2	3	0.3	30	4	4D1/4D2
MPD008025S4H	0.8-2.5	20	0.6	1.25	/	2	0.2	30	4	4D25
MPD008035S4L	0.8-3.5	20	0.9	1.3	1.3	3	0.3	20	4	4D6
MPD008035S4H	0.8-3.5	22	0.9	1.3	1.2	3	0.3	30	4	4D17
MPD008021N4H	0.85-2.15	20	0.8	1.3	1.2	2	1.5	50	4	4D31
MPD015025N4L	1.5-2.5	20	0.6	1.3	/	5	0.3	20	4	4D9
MPD010020S4L	1-2	18	0.6	1.5	1.5	3	0.3	20	4	4D1/4D2
MPD010020S4M	1-2	22	0.4	1.2	1.2	3	0.3	30	4	4D1/4D2
MPD010020S4H	1-2	20	0.6	1.25	1.25	3	0.3	50	4	4D1/4D2
MPD010020S4I	1-2	22	0.6	1.3		3	0.3	30	4	4D1/4D2
MPD010040S4L	1-4	20	0.8	1.3	/	3	0.3	20	4	4D10
MPD010040S4M	1-4	20	0.7	1.25	1.2	4	0.3	30	4	4D1/4D2
MPD010040S4H	1-4	20	0.7	1.3	1.3	4	0.3	50	4	4D1/4D2
MPD001040S4I	1-4	20	0.8	1.3		3	0.3	30	4	4D1/4D2
MPD010060S4L	1-6	18	1.6	1.4	1.25	5	0.3	30	4	4D27
MPD010060S4M	1-6	20	1.8	1.4	1.3	5	0.3	50	4	4D1/4D2
MPD010080S4L	1-8	16	2	1.45	/	5	0.4	10	4	4D16
MPD010080S4M	1-8	20	1.6	1.5	1.4	6	0.3	30	4	4D1/4D2
MPD010080S4I	1-8	15	1.8	1.5	/	5	0.4	20	4	4D1/4D2
MPD010124S4L	1-12.4	16	2.4	1.6	/	8	0.5	10	4	4D22
MPD010124S4M	1-12.4	16	2.2	1.6	/	7	0.5	10	4	4D14
MPD010124S4I	1-12.4	16	2.2	1.6	/	7	0.5	20	4	4D1/4D2
MPD010180S4L	1-18	14	2.9	1.9	1.9	10	0.8	10	4	4D4
MPD010180S4M	1-18	16	2.8	1.8	1.5	10	0.5	30	4	4D1/4D2
MPD020040S4L	2-4	22	0.55	1.25	1.2	3	0.3	20	4	4D2
MPD020040S4M	2-4	20	0.6	1.3	/	3	0.3	30	4	4D8
MPD020040S4H	2-4	18	0.9	1.4	/	3	0.3	50	4	4D10
MPD020080S4C	2-8	18	1.2	1.4	/	5	0.4	30	4	4D24
MPD020080S4L	2-8	18	1.2	1.4	1.4	5	0.4	20	4	4D7
MPD020080S4M	2-8	18	1.2	1.4	/	5	0.4	30	4	4D2
MPD010080S4H	2-8	20	1	1.4	1.3	6	0.3	50	4	4D1/4D2
MPD020080S4I	2-8	17	1.3	1.5	/	5	0.4	20	4	4D1/4D2

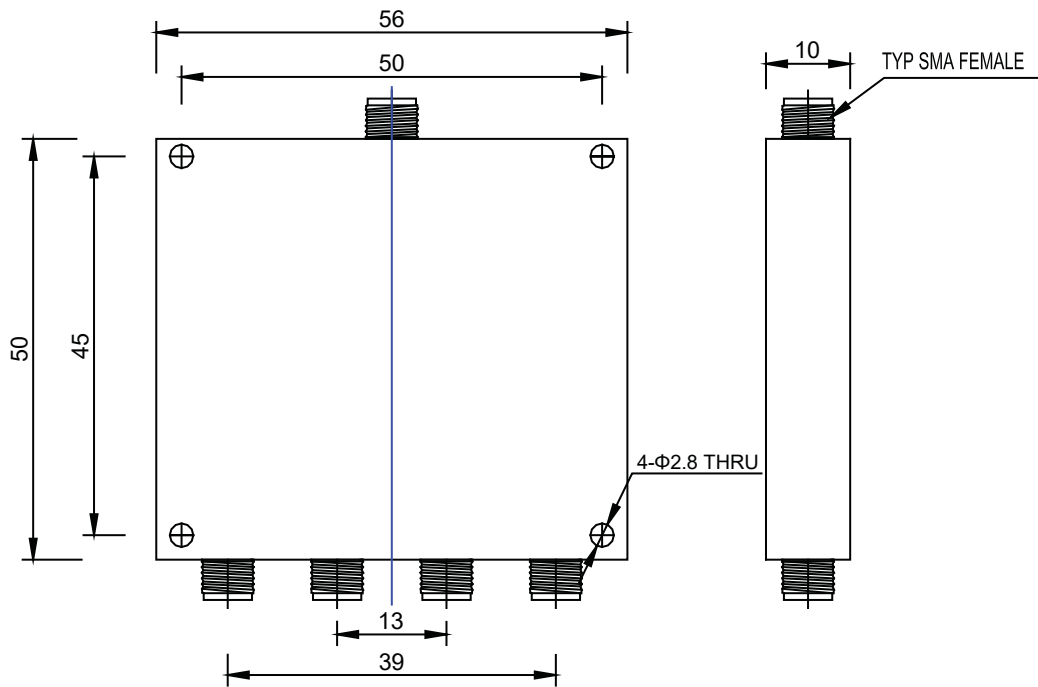


4-WAY WIDE BAND POWER DIVIDER

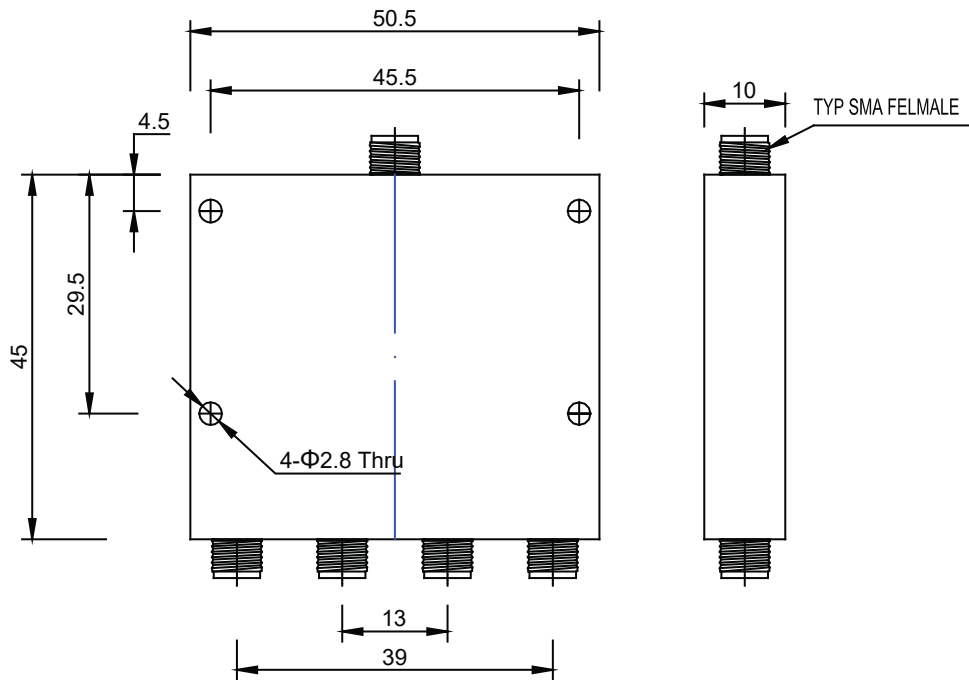
Part Number	Frequency Range (GHz)	Isolation (dB.Max)	Insertion Loss (dB)	VSWR Input (Max)	VSWR Output (Max)	Phase Balance (±deg.Max)	Amplitude Balance (±dB.Max)	Power Handling (W.Avg)	Way	Case Type
MPD020080S4J	2-8	18	1.2	1.4	/	5	0.4	20	4	4D1/4D2
MPD020180S4C	2-18	18	2.3	1.5	1.4	10	0.8	20	4	4D37
MPD180020S4C	2-18	18	1.8	1.5	1.5	6	0.5	30	4	4D38
MPD020180S4L	2-18	16	2.2	1.65	1.6	8	0.6	10	4	4D5
MPD020180S4M	2-18	16	1.8	1.65	1.5	12	0.5	10	4	4D39
MPD020180S4H	2-18	16	2.2	1.65	1.6	8	0.6	10	4	4D5
MPD030050S4L	3-5	18	1	1.4	/	5	0.4	10	4	4D2
MPD037042S4L	3.7-4.2	20	0.5	1.3	1.2	4	0.3	10	4	4D1/4D2
MPD037048N4M	3.7-4.8	20	0.9	1.4	/	3	0.3	30	4	4D18
MPD040080S4L	4-8	18	0.7	1.3	1.25	3	0.3	20	4	4D1/4D2
MPD040080S4M	4-8	20	0.8	1.3	/	3	0.3	30	4	4D8
MPD040080S4H	4-8	20	0.8	1.3	/	3	0.3	10	4	4D10
MPD040080S4I	4-8	20	0.8	1.3		3	0.3	20	4	4D1/4D2
MPD040180S4L	4-18	18	1.6	1.6	1.5	8	0.5	10	4	4D2
MPD040180S4M	4-18	17	1.8	1.6	1.5	12	0.5	30	4	4D32
MPD040180S4I	4-18	17	1.6	1.6		8	0.5	10	4	4D1/4D2
MPD051059N4M	5.1-5.9	20	1	1.5	1.4	±3	±0.3	30	4	4D36
MPD058071N4M	5.8-7.1	18	1	1.5	/	5	0.5	30	4	4D18
MPD060180S4L	6-18	16	1.3	1.6	/	8	0.5	10	4	4D3
MPD060180N4L	6-18	18	1.6	1.8	/	8	0.5	10	4	4D15
MPD060180S4M	6-18	18	1	1.5	1.4	5	0.5	30	4	4D20
MPD060180S4H	6-18	16	1.5	1.5	/	5	0.5	20	4	4D20
MPD060180S4C	6-18	16	1.2	1.5	/	5	0.5	20	4	4D21
MPD060180S4I	6-18	17	1.4	1.6	/	8	0.8	10	4	4D1/4D2
MPD080120S4L	8-12	17	1.2	1.5	/	5	0.5	10	4	4D3
MPD080124S4C	8-12.4	18	0.8	1.45	1.35	6	0.4	/	4	4D26
MPD080180S4L	8-18	16	1.3	1.6	/	8	0.5	10	4	4D3
MPD180224S4L	18-22.4	17	8	1.7	1.7	12	0.6	10	4	4D3
MPD150400S4M	15-40	14	4	2	1.6	6	0.6	20	4	4D34
MPD180400S4M	18-40	14	2.4	1.8	1.6	6	0.6	10	4	4D34
MPD335365S4L	33.5-36.5	20-22	2.2	2.5	/	/	/	/	4	4D23



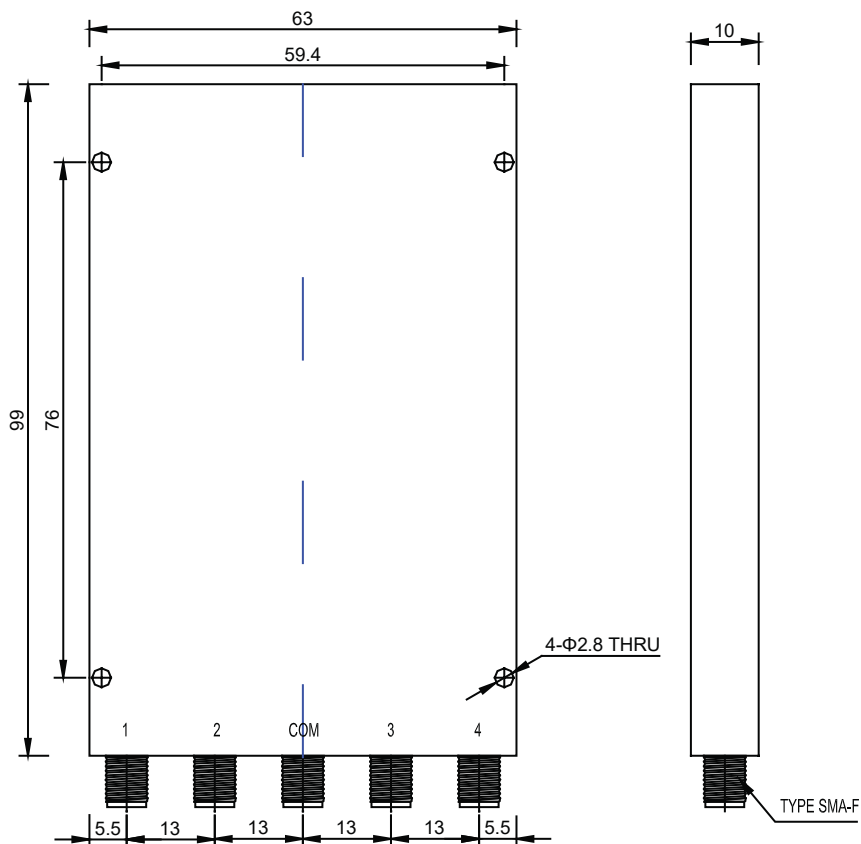
4D1



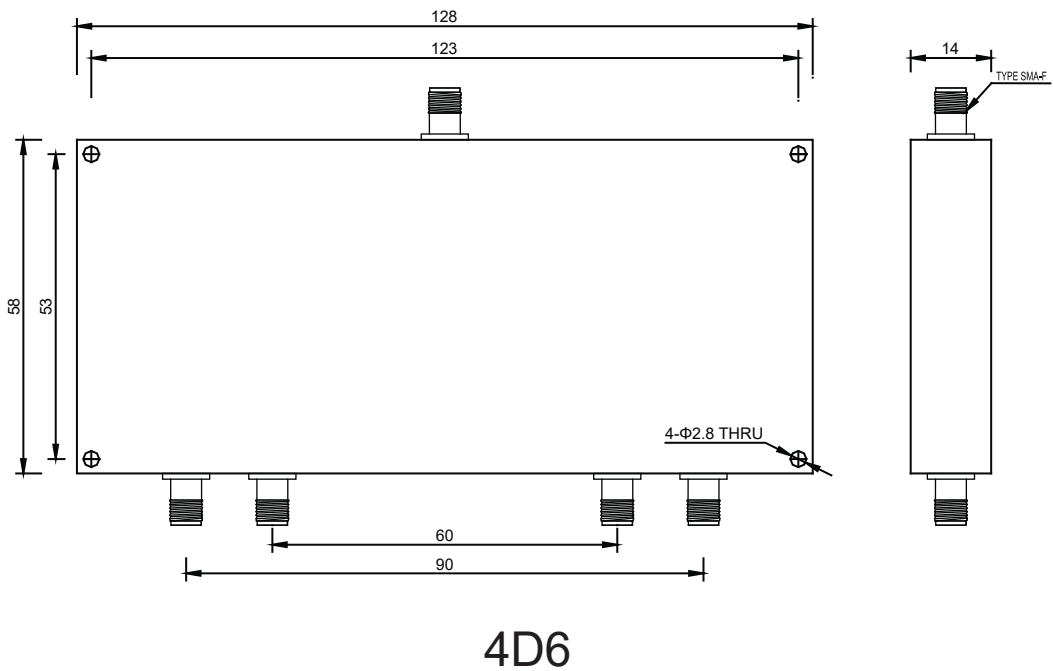
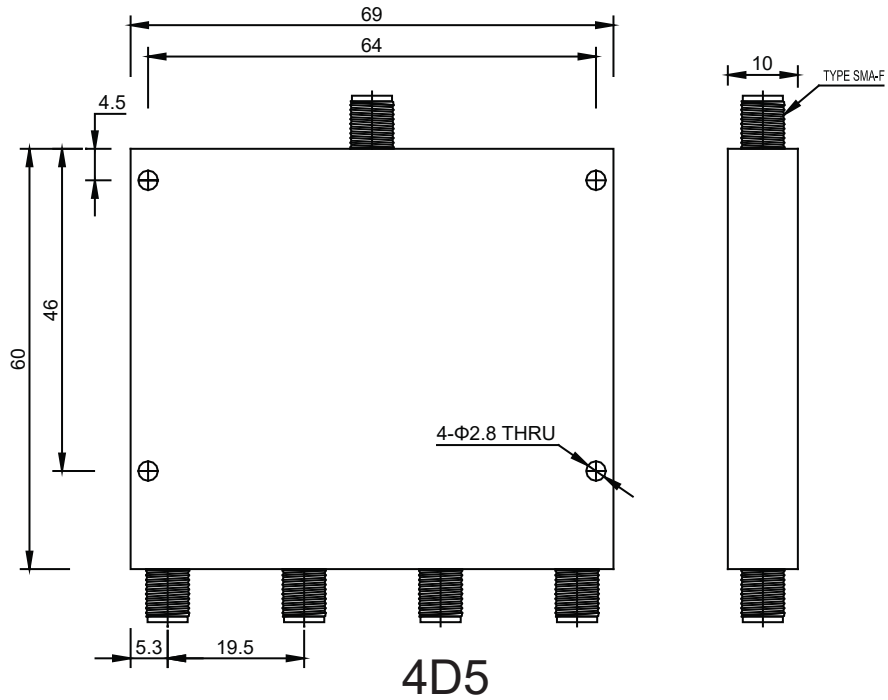
4D2

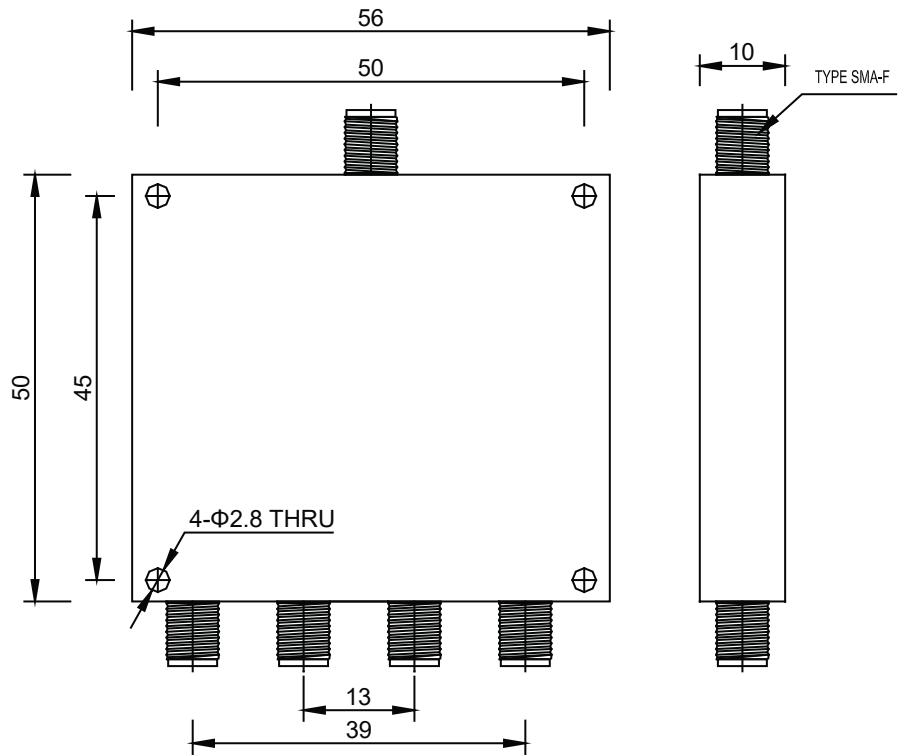


4D3

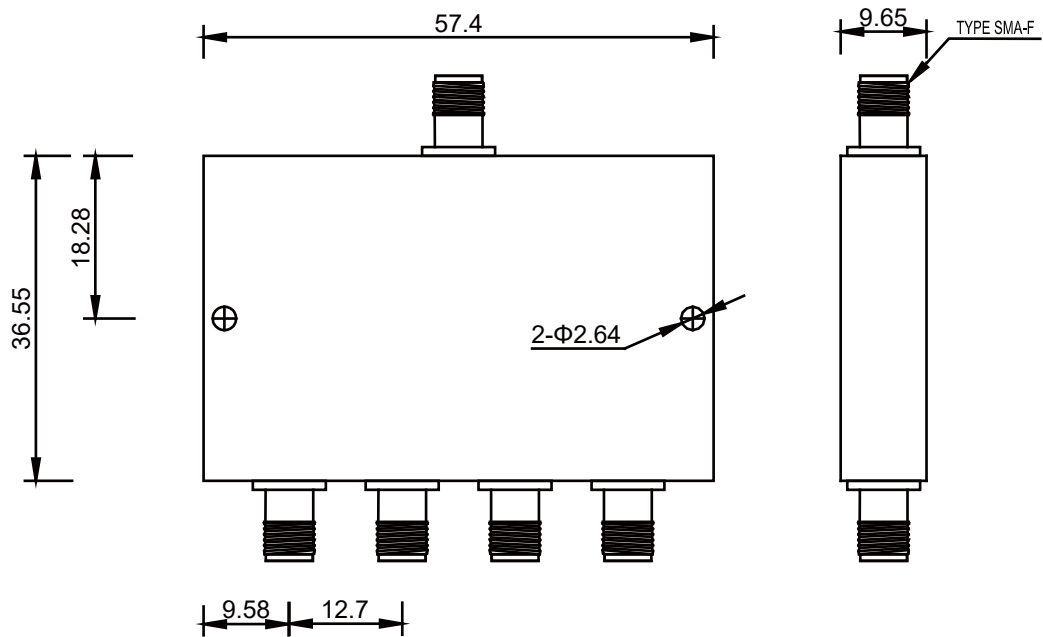


4D4

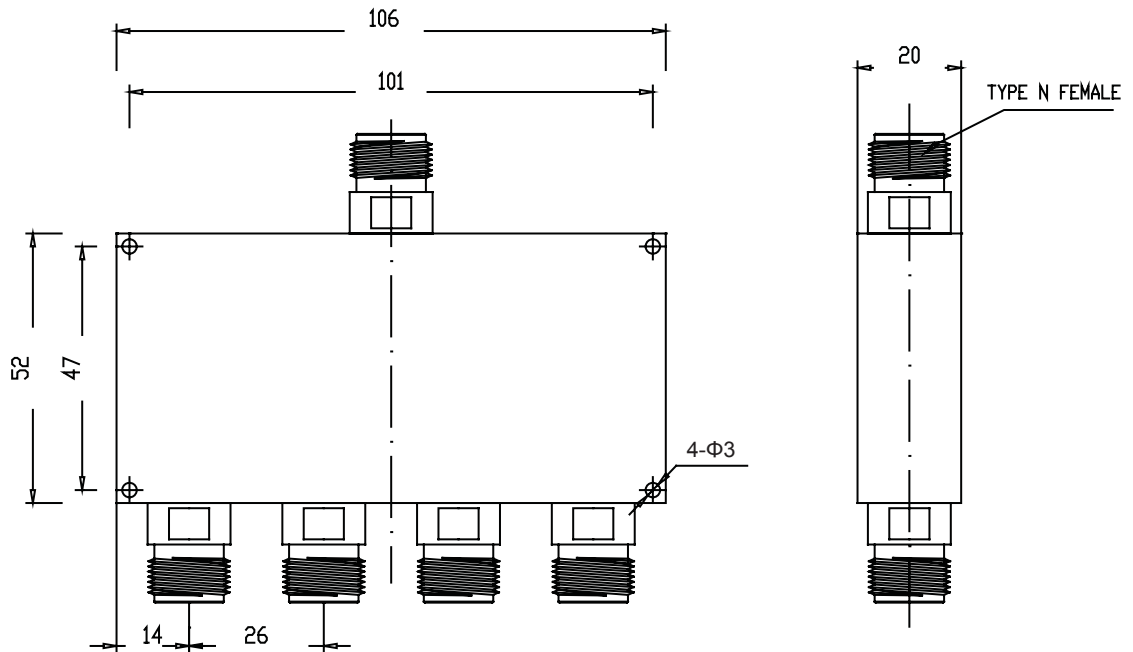




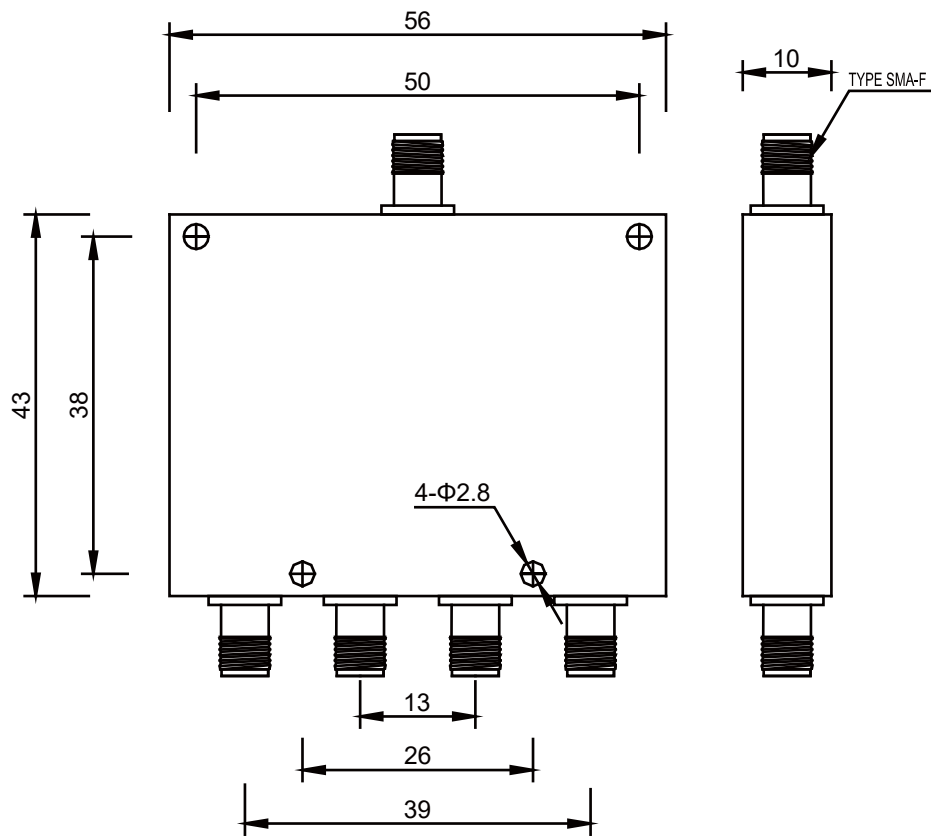
4D7



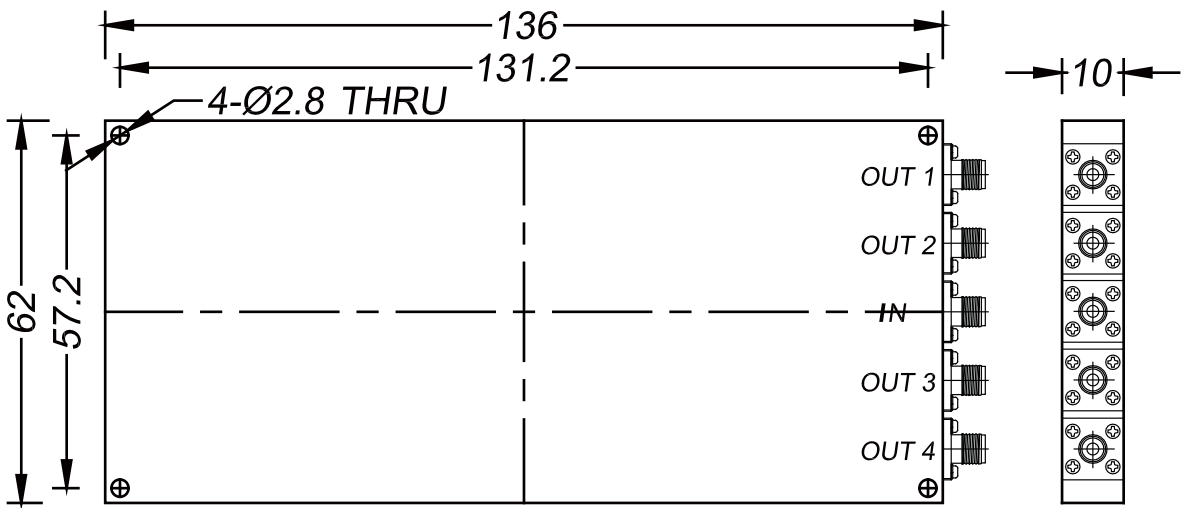
4D8



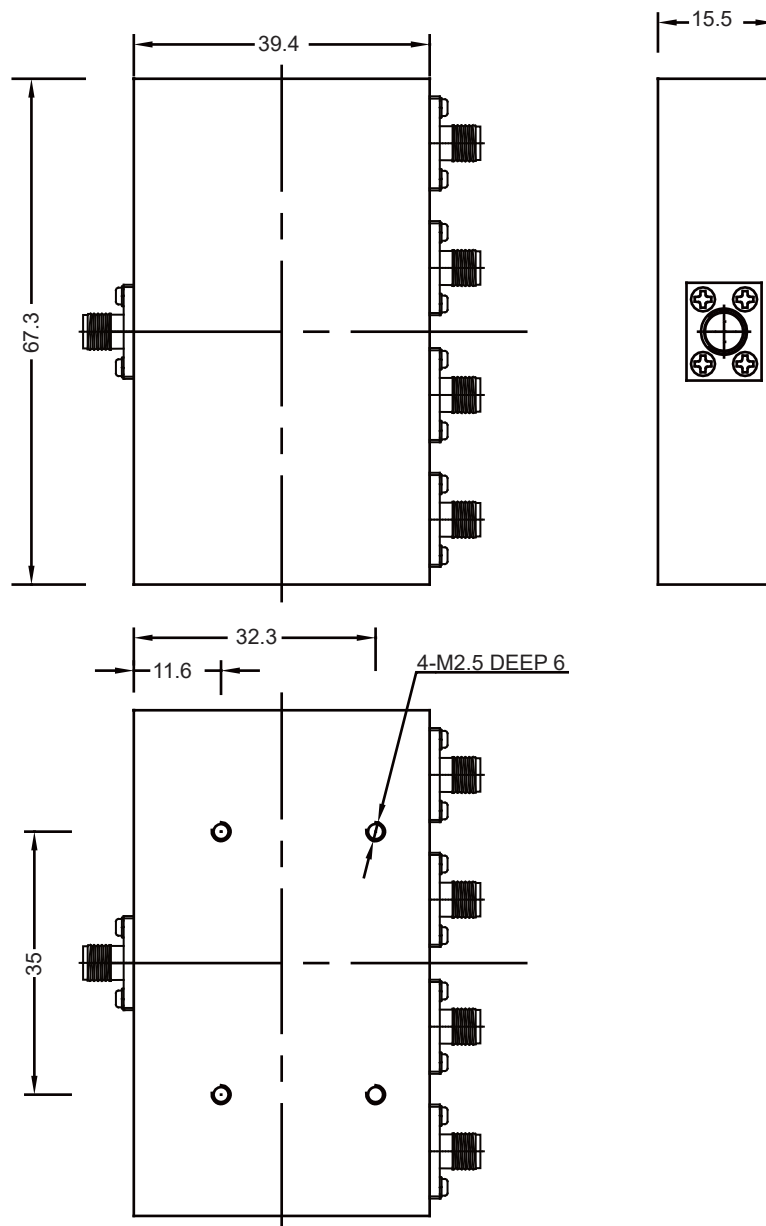
4D9



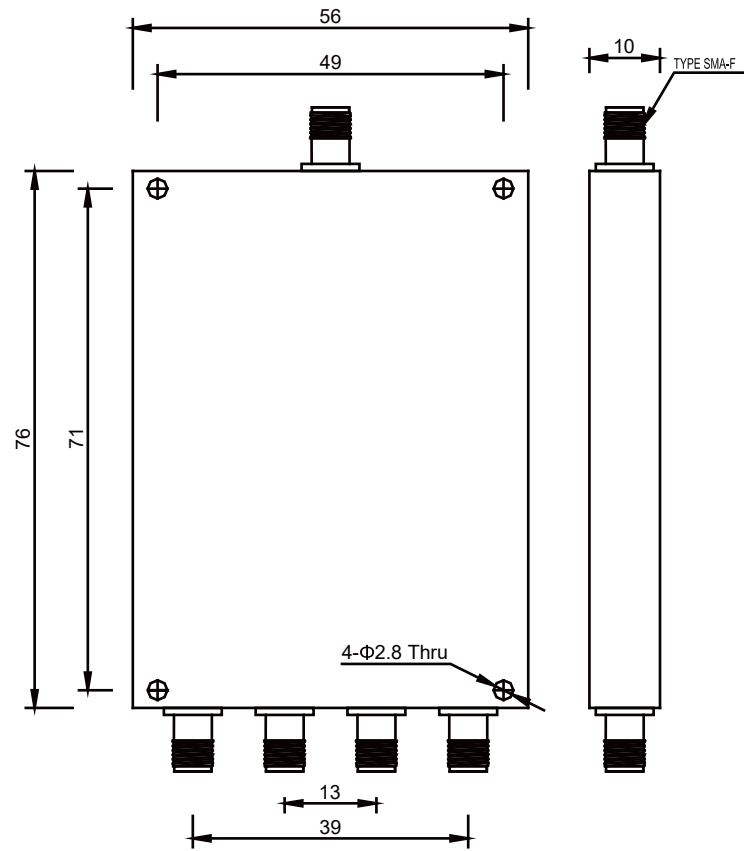
4D10



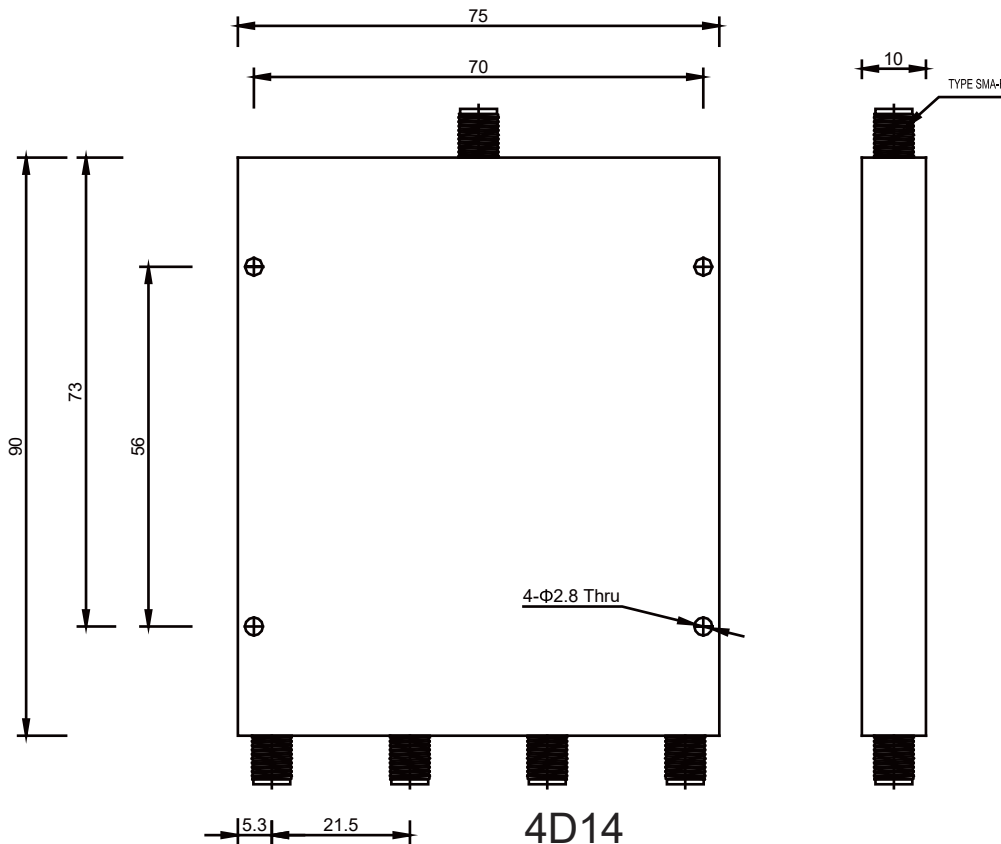
4D11



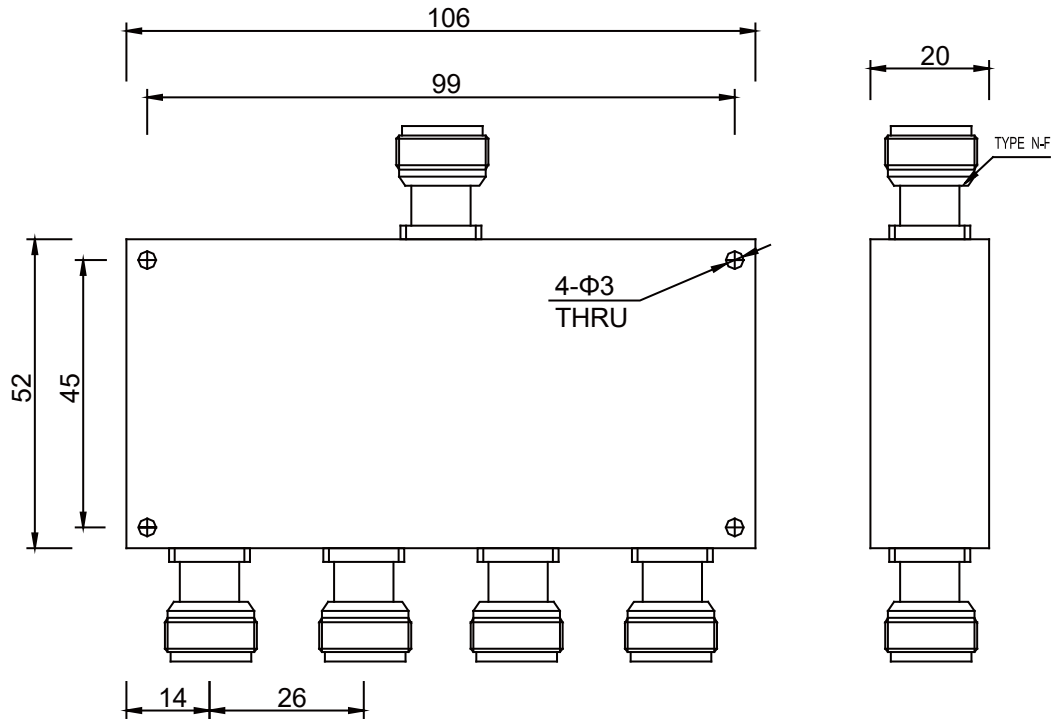
4D12



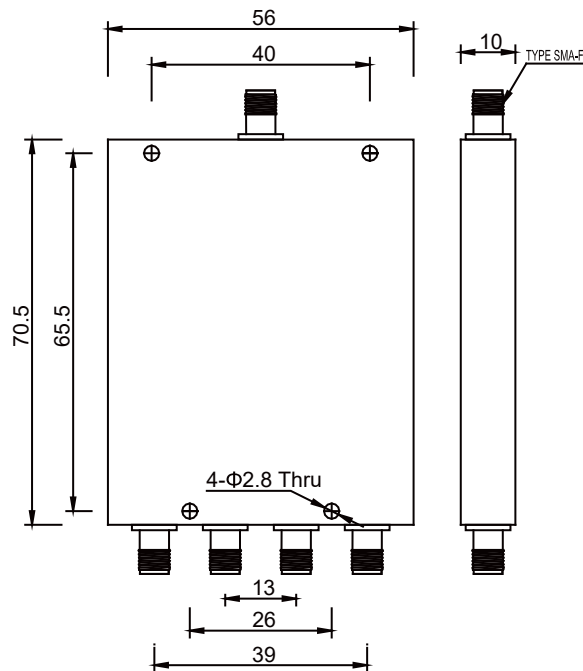
4D13



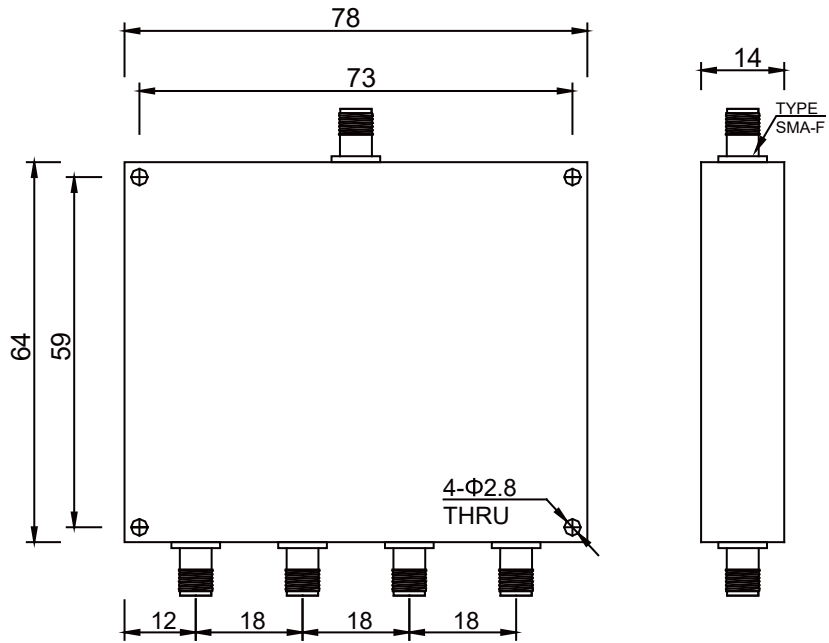
4D14



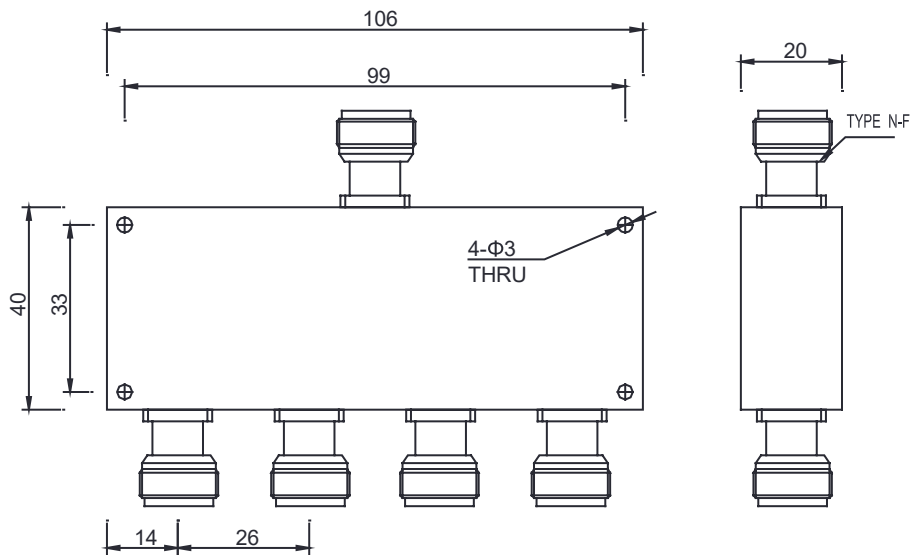
4D15



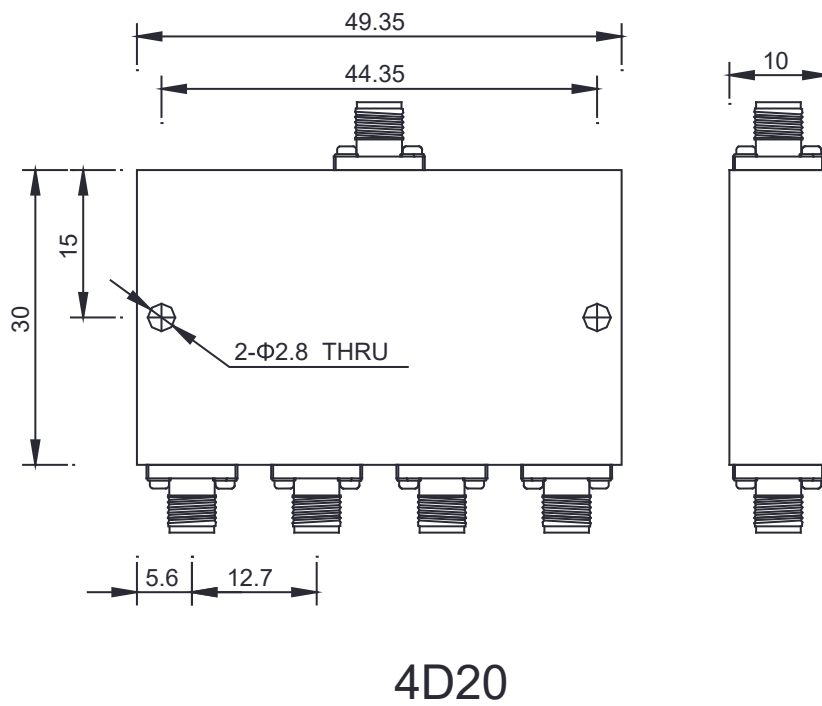
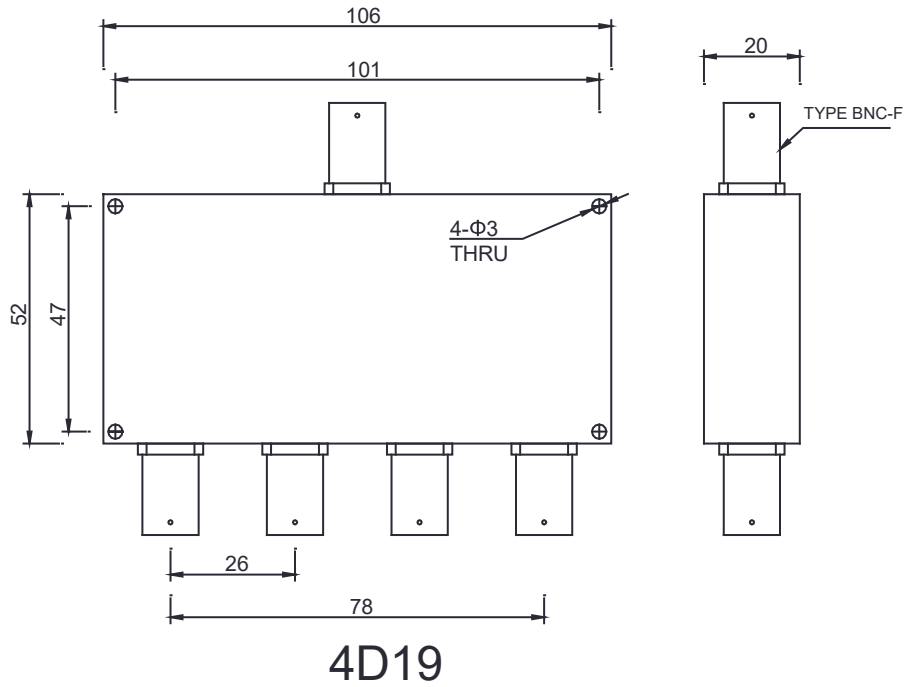
4D16

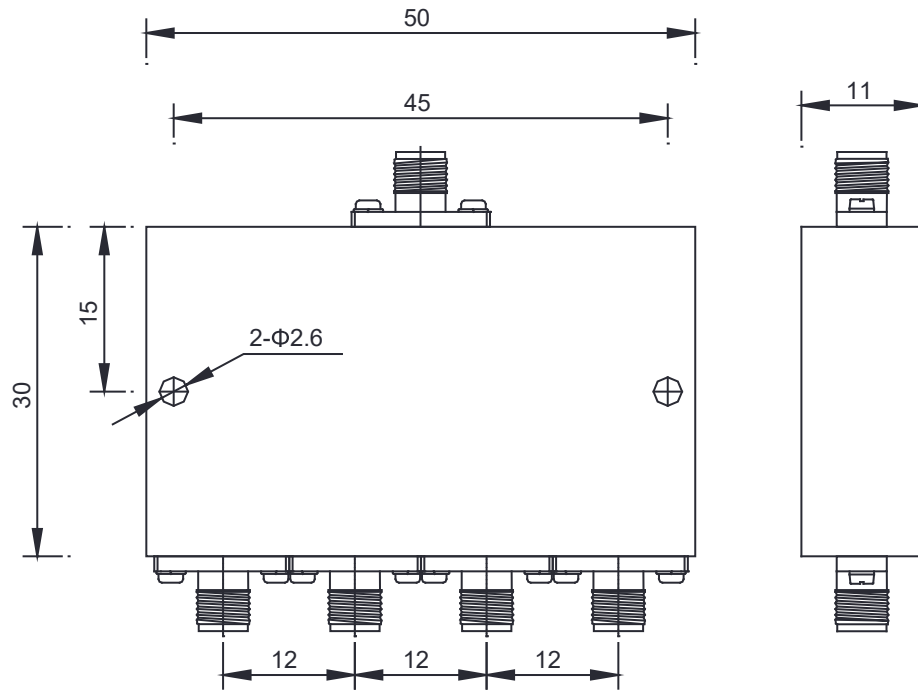


4D17

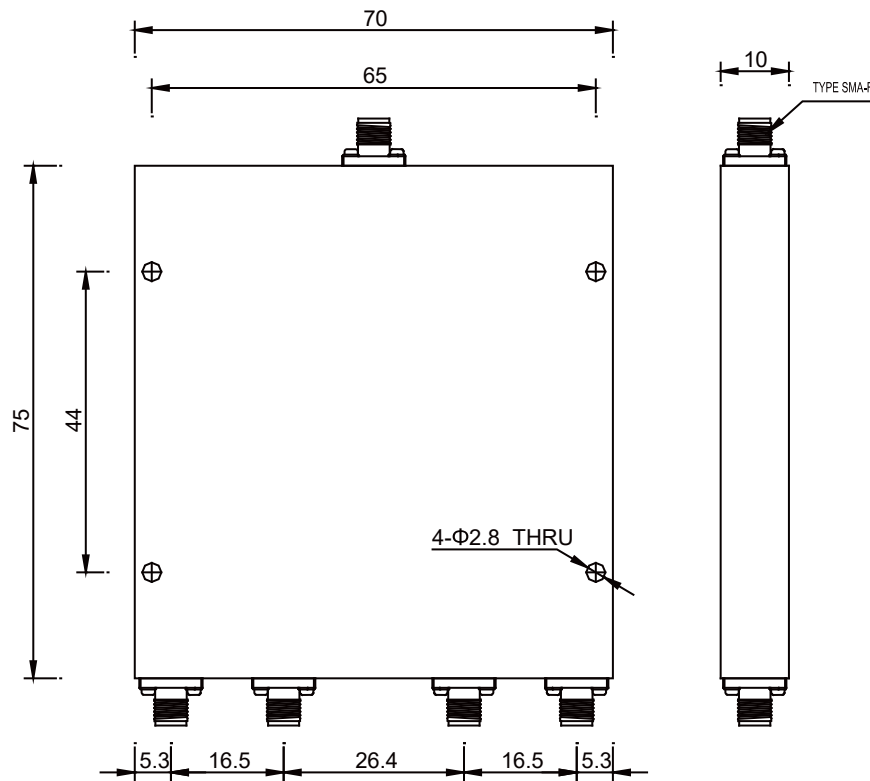


4D18

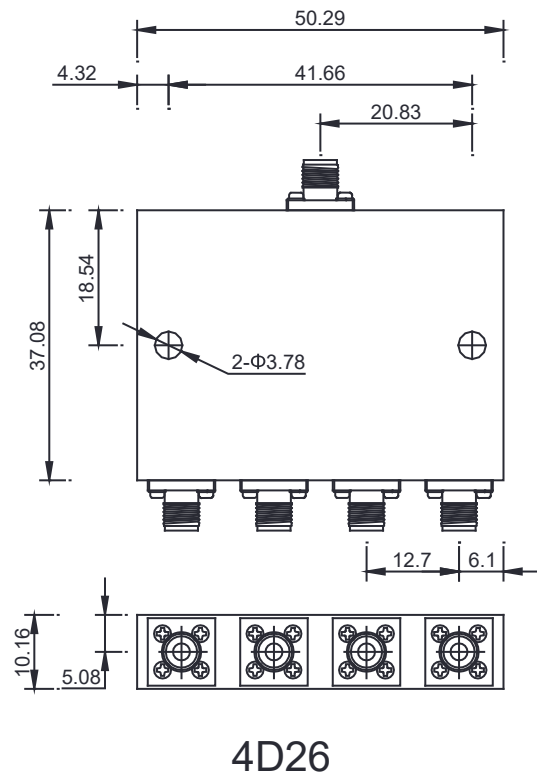
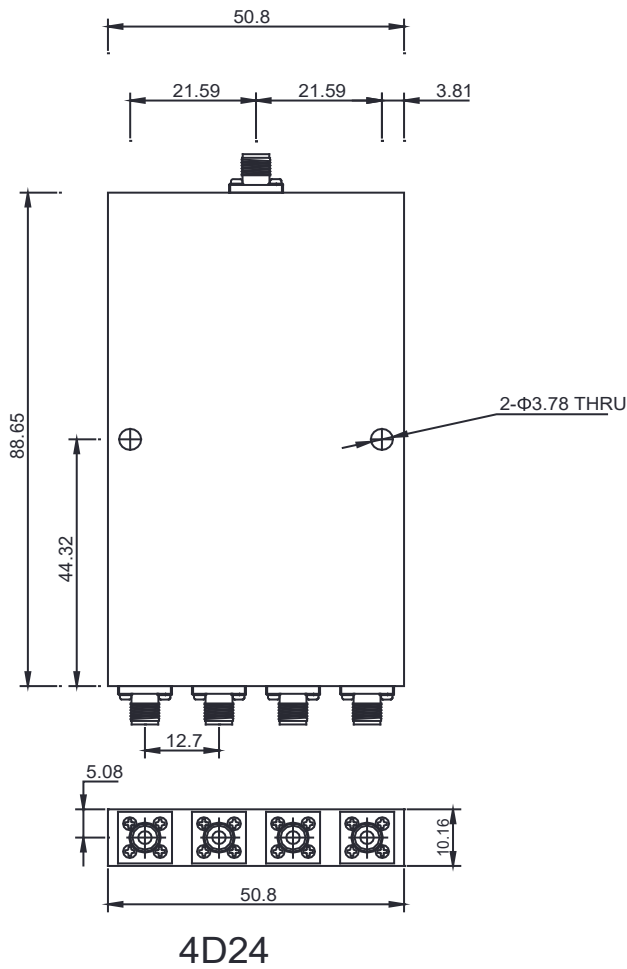
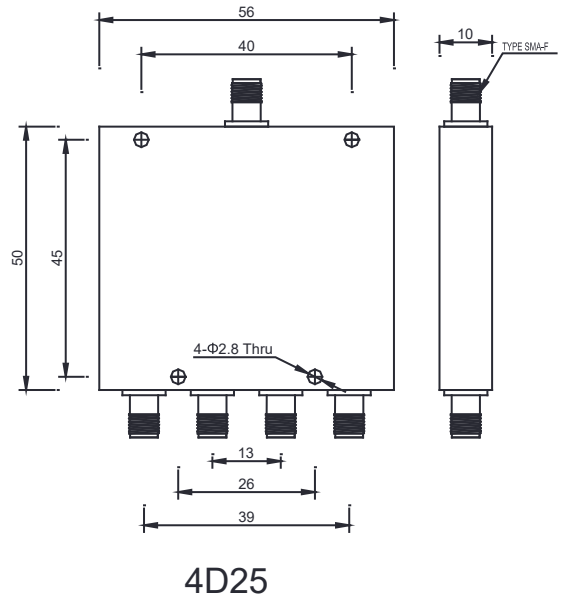
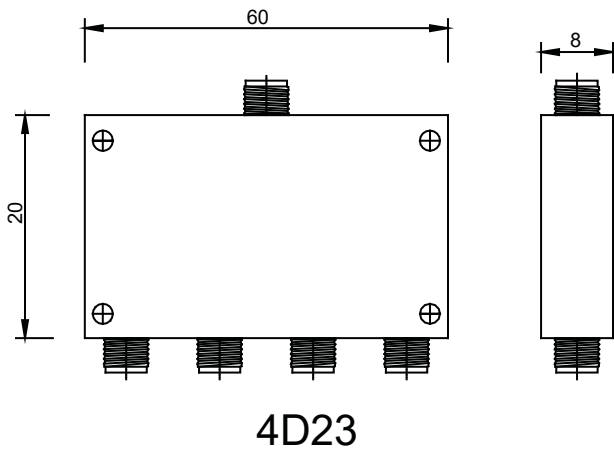


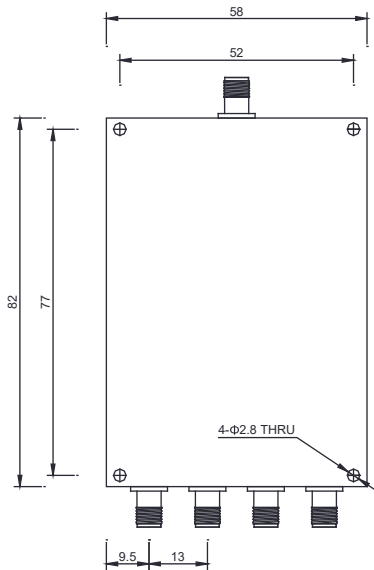


4D21

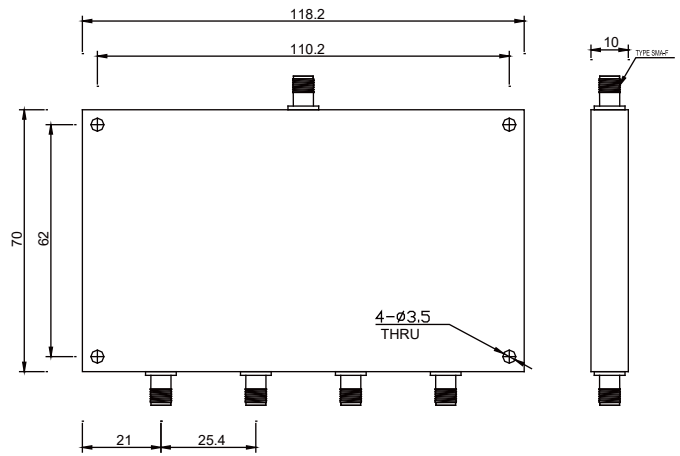
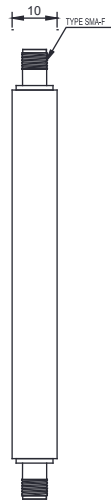


4D22

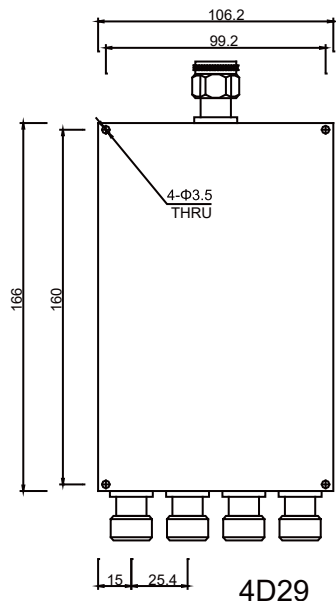
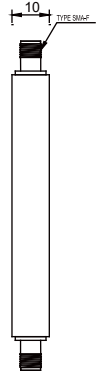




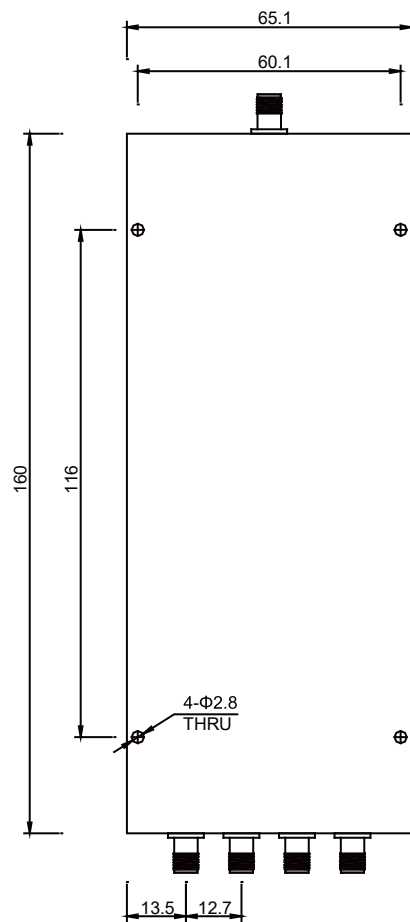
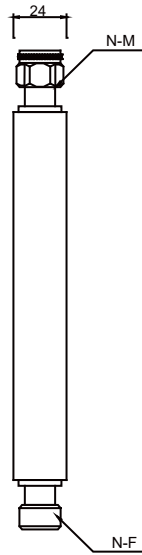
4D27



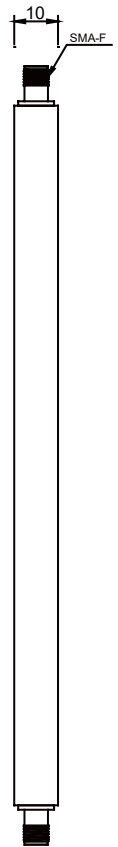
4D28

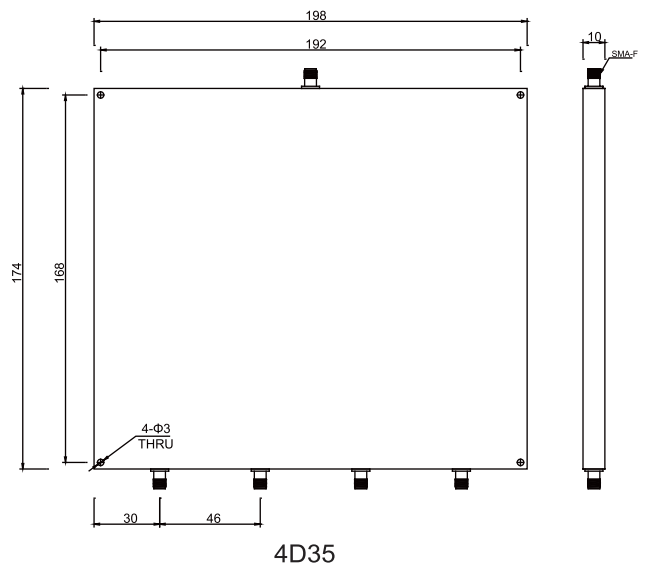
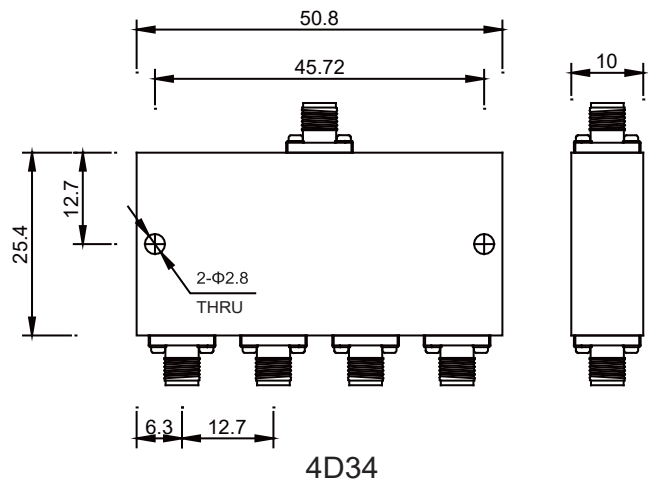
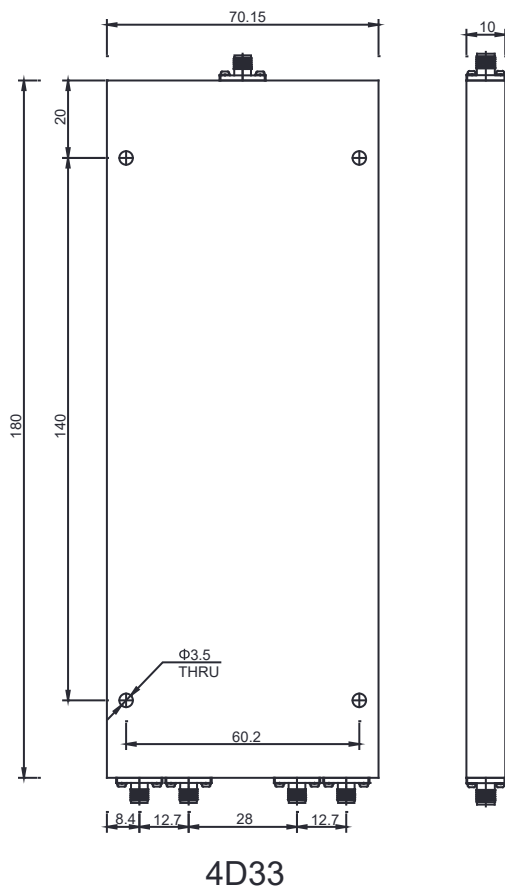
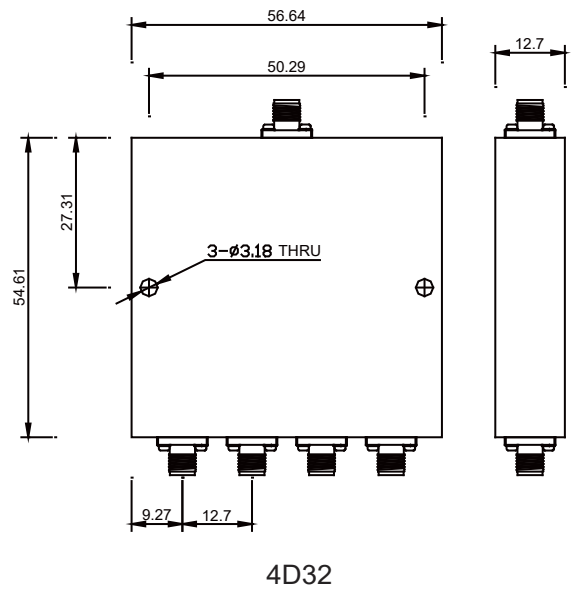
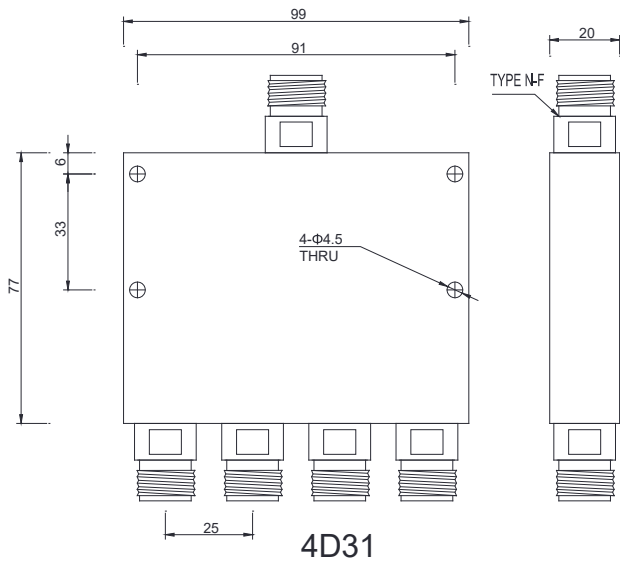


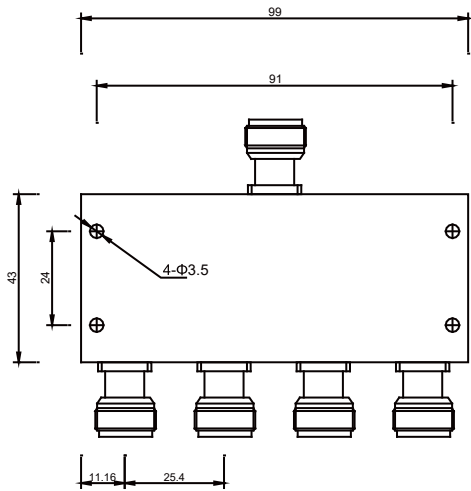
4D29



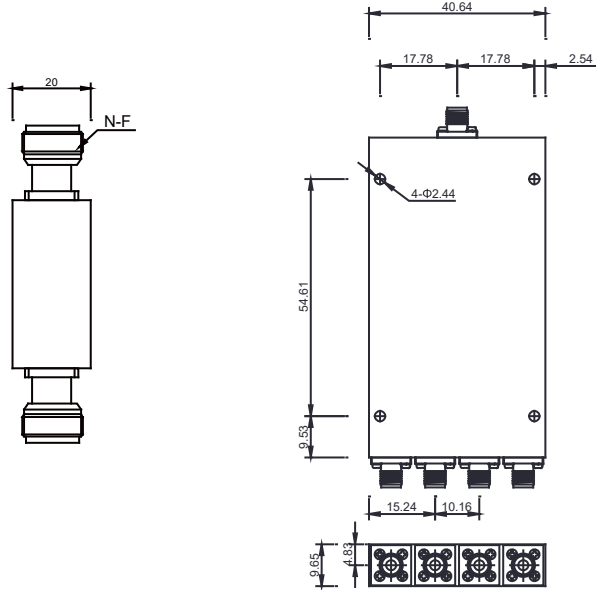
4D30



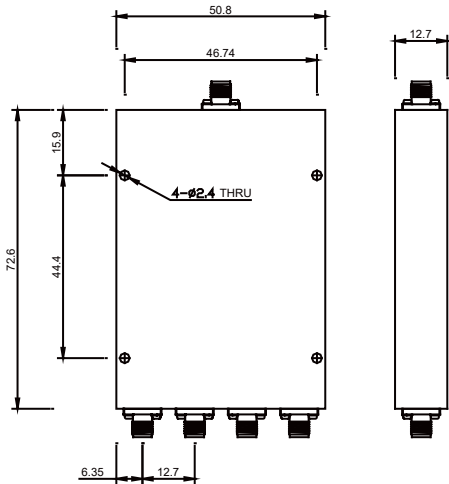




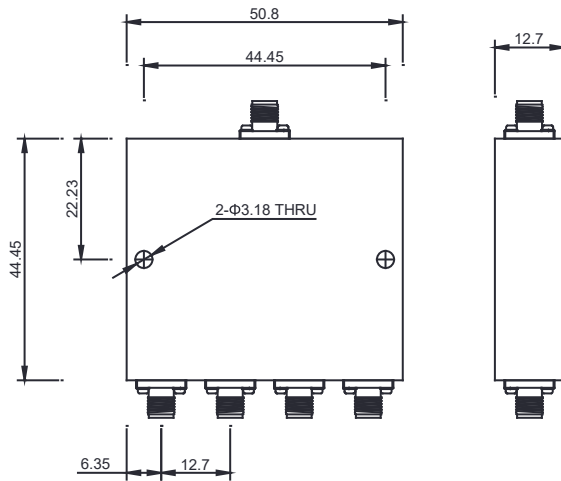
4D36



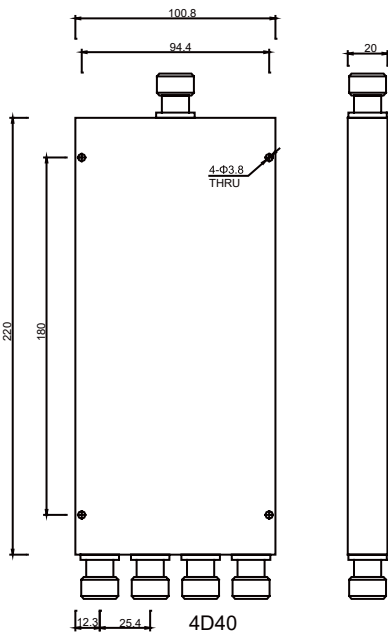
4D37



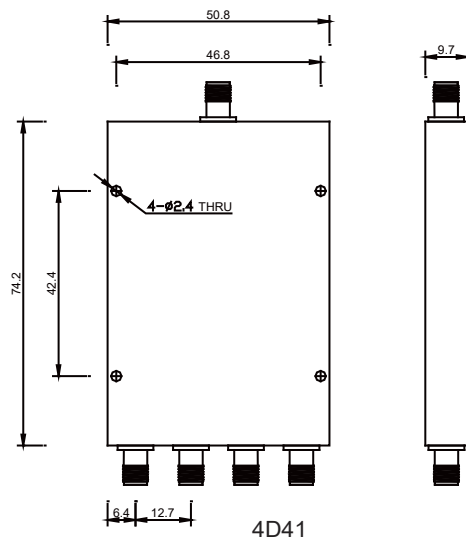
4D38



4D39



4D40



4D41